

## MASK-PROGRAMMABLE SPEECH CIRCUITS

### Key Options

- MICROPHONE TYPES SUCH AS ELECTRODYNAMIC/MAGNETIC, ELECTRET OR CERAMIC
- POWER SUPPLY FOR EXTERNAL CIRCUITRY
- AGC CIRCUIT
- LINE REGULATION OF TRANSMIT/RECEIVE GAIN FOR CERTAIN TELEPHONE STATION POWER SUPPLIES
- EXTRA POWER SUPPLY INPUTS FOR OUTPUT AMPLIFIER TO BE USED IN HANDS-FREE TELEPHONES
- SPECIAL IMPEDANCE/GAIN REQUIREMENTS
- MUTE OR TRANSMIT/RECEIVE AMPLIFIERS WITH OR WITHOUT CONFIRMATION TONE
- ACOUSTIC SHOCK ARRESTORS
- SIDETONE CANCELLATION CIRCUITRY

### Pin Options

- MUTE/NO MUTE FUNCTION
- REGULATION OF SIDETONE WITH LINE LENGTH
- CUT OFF OF ALL LINE REGULATION

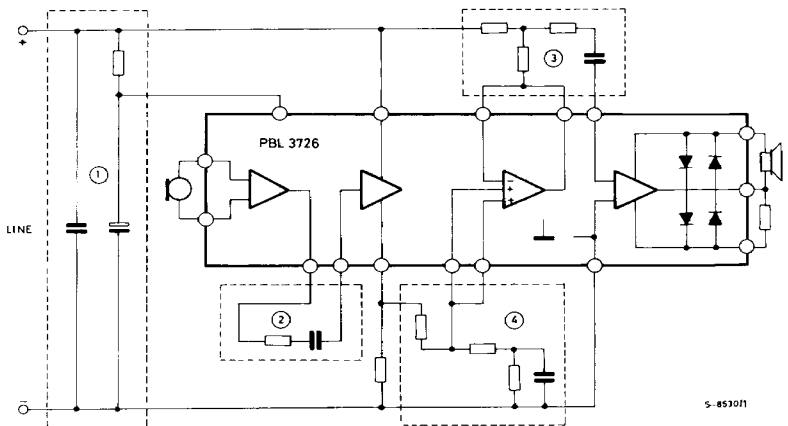
### External Components (step by step)

- DC CHARACTERISTICS
- IMPEDANCE
- TRANSMIT GAIN
- TRANSMIT LINEARITY
- RECEIVE GAIN
- RECEIVE LINEARITY
- SIDETONE
- LOW VOLTAGE OPERATION

PBL 3726 is a family of mask-programmable speech circuits intended for various telephone applications. The flexibility of these circuits allows use of versions of PBL 3726 in all telecom markets, whether it be in an ordinary telephone, a hands-free multi-function phone or even as a trunk interface. The versatility is based on three levels:

- Mask options for special requirements
- Pin options on certain functions
- Step-by-step design possibility on the basic telephone functions making it possible to cut down design time to a minimum. This is done by changing the values of a small number of external components.

Fig. 1 - Block diagram and typical application



### External RC-networks

- ① Line impedance and radio interference suppression
- ② Transmitting amplifier, gain set and frequency adjustment
- ③ Receiver amplifier, gain set and frequency adjustment
- ④ Side tone adjustment

# PBL3726 Series

## ABSOLUTE MAXIMUM RATINGS

Maximum ratings over operating free-air temperature range (unless otherwise stated)

$V_{DC}$	Line voltage, $t_p = 2s$	22	V
$I_{DC}$	Continuous operating line current (*)	100	mA
$T_j$	Junction temperature	+150	°C
$T_{amb}$	Operating ambient temperature	-40 to +70	°C
$T_{stg}$	Storage temperature	-55 to +150	°C

(\*) Max current increases linearly up to 130 mA with max operating temperature lowered to +55°C

For recommended operating conditions see specific data sheets for different versions of PBL 3726

## FUNCTIONAL DESCRIPTION

The gains of the transmitting and receiving amplifiers are continuously and equally changed with the line length. The gain regulation can be cut off externally, and the gain will then be the maximum gain normally used at long lines.

The outputs of the transmitting and receiving amplifiers have internal limitations as to the output amplitudes.

The circuit includes a temperature independent voltage reference used for regulating the DC line current and for regulating the transmitting and receiving gain. The DC voltage quickly settles to its final value with a minimum of overshoot.

The circuit needs few external components. In a normal practical case there are only 5 external capacitors, one of which is an electrolytic/tantalum filter capacitor. The other capacitors are needed for radio interference suppression, to function in the sidetone balancing network, and to provide low frequency cut-off in each of the transmitting and receiving amplifiers.

The circuit has an excellent return loss characteristic against both purely resistive lines such as 600Ω and against complex networks such as 900Ω in parallel with 30nF.

The microphone input is balanced to provide a good CMRR.

It is possible to add a push-button controlled cut-off of the transmitting amplifier of the circuit without disturbing any of the other circuit functions.

A mute input is included to:

- 1) Cut off the transmitting amplifier ( $F_1$ )
- 2) Reduce gain in the receiving amplifier
- 3) Reduce current consumption to lower power loss

The DC regulation works independently of the mute function and is not influenced by the mute signal. External mute-control of the circuit from a DTMF generator such as PBD3535 is then possible.

The receiver amplifier is equipped with a high impedance input stage, allowing a less expensive RC network on the input.

Only resistive elements are used to set the receiving gain.

A push-pull power stage in the receiving amplifier provides a high output swing.

The sidetone balance can be set by an RC network without influencing other parameters. An inexpensive solution requires only one capacitor whereas more capacitors may provide better performance. The sidetone can be regulated with respect to line length.

## FUNCTIONAL DESCRIPTION (continued)

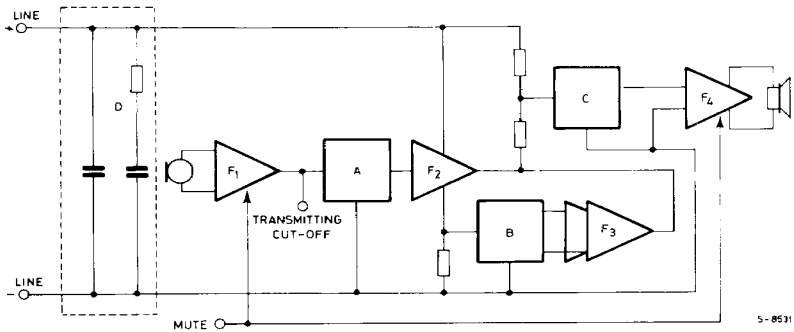
A separate amplifier stage ( $F_3$ ) can be used in several different ways, for instance.

- 1) Separating the sidetone balance network
- 2) Compensating sidetone level for line length

- 3) Providing an extra 20dB gain for volume control of the receiving amplifier, etc.

This amplifier has many uses. In the following part only two examples of its use are given.

Fig. 2



A, B, C and D are RC links with the following functions:

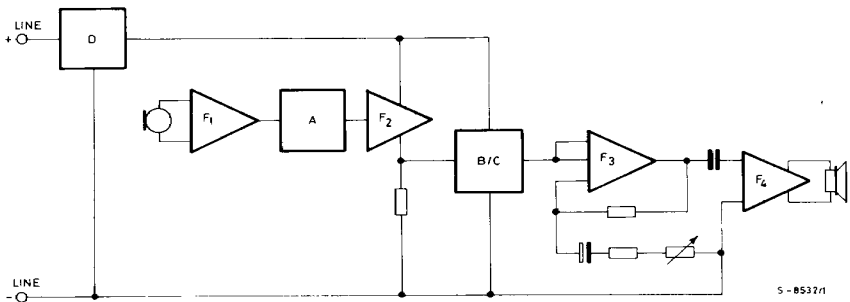
A: To set the gain and frequency response for transmitting

B: To set the sidetone level (regulation with line length is possible)

C: To set the gain and frequency response for receiving

D: For radio interference suppression and to give the correct return loss behaviour

Fig. 3



In this case an extra 20dB amplification is added to the receiving part. A potentiometer pro-

vides the possibility of adjusting the gain to the required level.

# PBL3726 Series

## BASIC EXTERNAL COMPONENTS

### R1, R2

These resistors set the starting point for the gain and sidetone regulation.

Input impedance on the regulator is about  $52K\Omega \pm 2\%$ . Only universal versions of PBL 3726 like PBL 3726/6, 3726/9 etc. are equipped with this option. In the data sheets for these versions there is a table showing the R1, R2 values for different central office power supplies. The regulation can also be cut off by leaving R1 open and shorting R2 to -LINE voltage.

For other PBL 3726 versions the regulation is set internally for a specific power supply type.

### C1, C2, R3

C1 in series with R3 and these in parallel with C2 determine the impedance to the line from the set.

C2 is normally inserted for radio interference suppression.

The network is optimized with regard to the return loss.

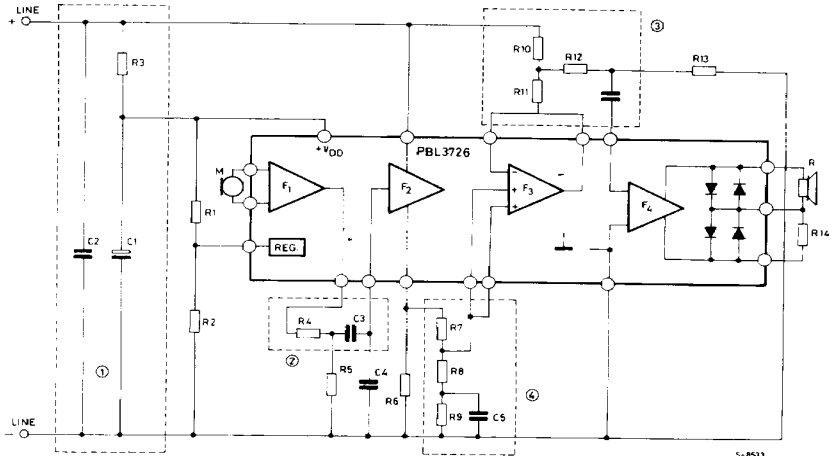
The R3, C1 combination forms a low-pass filter in the DC-feedback loop of the transmitting amplifier. If the R3 C1 time constant is too low there may be distortion at low frequencies.

If R3 is changed this will change the DC characteristics too which is set by the voltage at  $V_{DD}$ . The input current at  $V_{DD}$  is about 1mA.

### R4, R5, C3, C4

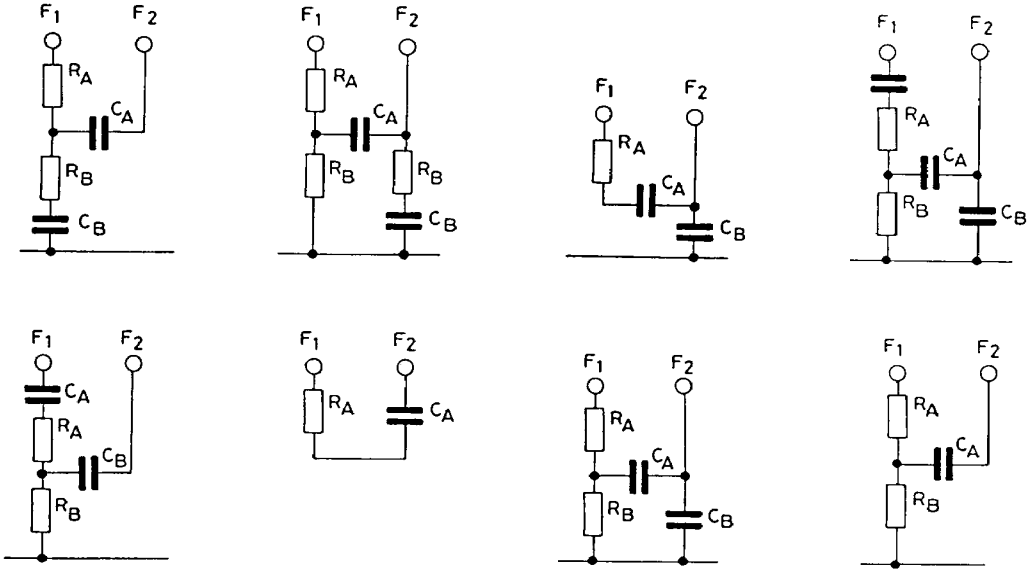
The network gives the amplification and frequency response for the transmitter. R5 is used when a greater reduction of the gain is wanted. Input impedance at  $F_2$  is about  $17K\Omega$  with typical variation  $\pm 20\%$ . The DC load on  $F_1$  must be greater than  $40K\Omega$ .

Fig. 4 - The PBL3726 and external RC networks



**BASIC EXTERNAL COMPONENTS** (continued)

Fig. 5 - Typical filters

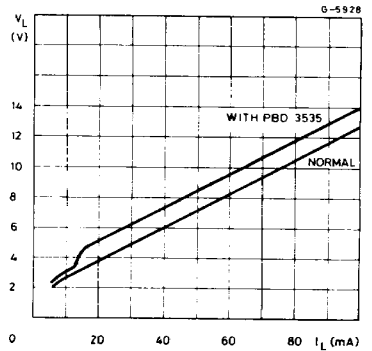


S-8534

**R6**

Sets the DC Characteristics and dissipates some of the supplied power. The resistor also affects, the transmitter gain, the output amplitude from the transmitter, the gain regulation and the sidetone. Common values are 68Ω to 82Ω.

Fig. 6 - Typical DC characteristics



# PBL3726 Series

## BASIC EXTERNAL COMPONENTS (continued)

### R7, R8, R9, R10, R11, C5

This network sets the sidetone balance. The network in the application is one of many possibilities. R10 and R11 together balance the signals that exit two different ways from the transmitter output stage, one from pin 1 and the other from pin 2. The balance network consists of R8, R9 and C5.

Examples given in the data sheets for different versions of PBL 3726 are not optimized to any specified line; they are given only to show the principle.

Amplifier  $F_3$  has a high input impedance. Shown in Fig. 7 are some different sidetone networks.

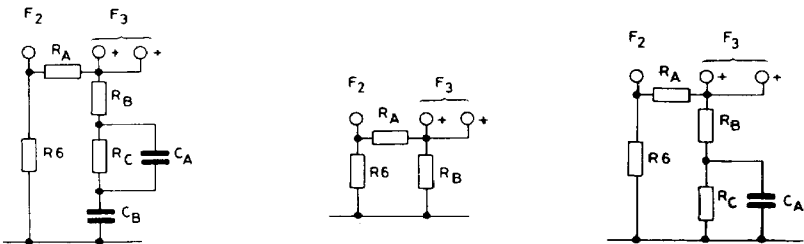
Construction of a sidetone network with regulation according to the above can be done as follows:

The balance impedance A is optimized at a short line where the regulation starts. The balance impedance B is optimized at a long line where the regulation stops. The circuit generates a continuous change between the two balance impedances.  $R_X$  insures that no DC voltage shall be between  $F_3$ 's double positive inputs at the change.

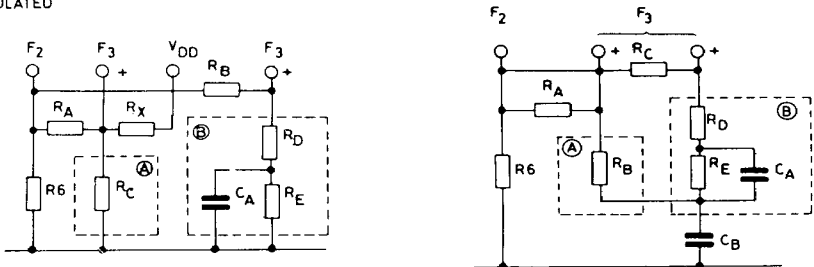
By breaking up between the negative input and output of  $F_3$  it can be used as an amplifier with amplification greater than unit. In Fig. 8 two

Fig. 7 - Sidetone networks

#### TYPE : UNREGULATED



#### TYPE : REGULATED



5 - 8535/1

**BASIC EXTERNAL COMPONENTS (continued)**

balance networks without  $F_3$  are shown.  $F_3$  can then be used in other applications.

In Fig. 9 a circuit is shown, where  $F_3$  is used as an amplifier with an extra 20 dB gain at receiving and with a volume control.

**R12, R13, C6 (R10, R11)**

The network gives the gain and frequency response for the receiver.

R13 is used when a greater reduction of the gain is wanted. Input impedance  $F_4$  is about  $35K\Omega$  with typical variation  $\pm 20\%$ . For different possibilities for the design of the network, see the network for the transmitter (R4, R5, C3) in Fig. 5.

**R14**

Generates the output impedance to the magnetic earphone.

If a dynamic earphone is used it should be placed between outer connections. The middle connection is then not used.

This will give about a double output (for the same output current)

**Rectifier**

Rectifier bridge and over-voltage protector. The zener voltage at Fig. 10 should be as low as possible.

Fig. 9 - 20dB extra amplifier (cannot be used in all version)

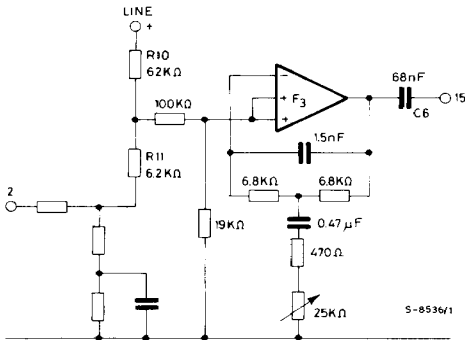


Fig. 8 - Sidetone networks without  $F_3$

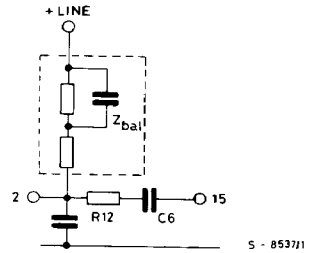
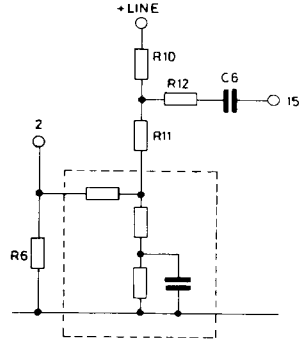
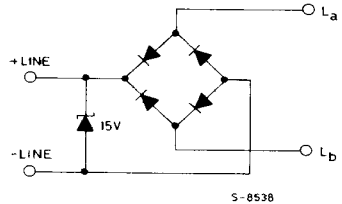


Fig. 10 - Rectifier bridge and overvoltage protection



## DESIGN RULES

The following order should always be used when designing telephone parameters.

- 1) The circuit impedance to the line
- 2) DC characteristics
- 3) Gain regulation
- 4) Transmitter gain and frequency response
- 5) Receiver gain and frequency response
- 6) Sidetone

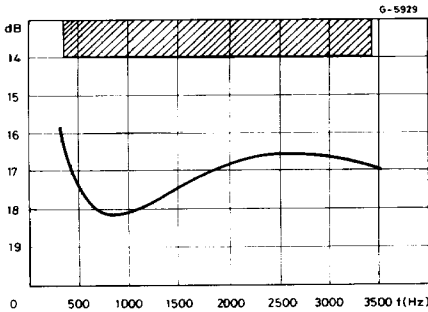
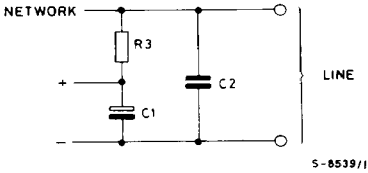
Components usually have to be added to suppress radio interference, especially from the wires up to the handset.

(The circuit can be placed either in the telephone or in the handset.)

### Impedance

This is determined with the components C1, C2, and R3 in most cases. In Fig. 11 a few examples of this are shown. If a more complex

Fig. 11 - Typical return loss against 600Ω

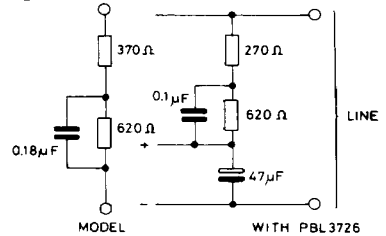


impedance is desired as in the example for British Telecom (Fig. 12), this can also be achieved by copying the mathematical model of the desired impedance.

Examples of line impedance matching:

Impedance	R3	C1	C2
600Ω	600Ω	47μF	15nF
900Ω, 30nF	900Ω	47μF	15nF
1.2KΩ, 60nF	1.2KΩ	47μF	47nF

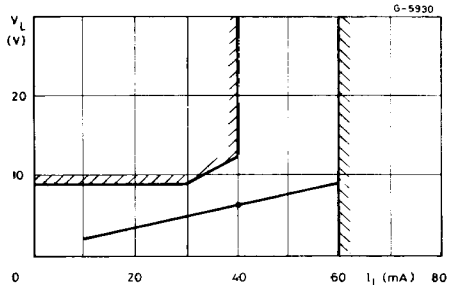
Fig. 12 - Example of complex impedance matching



### DC Characteristics

The slope of the DC characteristics is set by the resistor R6 (Fig. 13). The lower value of R6, the flatter the slope. With the steeper slope the

Fig. 13 - Typical DC characteristics





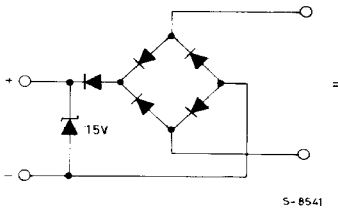
## DESIGN RULES (continued)

minimum DC voltage also will go down. It is not recommended, though, to set the PBL 3726 to DC voltages below 2.5V. If in some circumstances the DC characteristics of PBL 3726 is too low, they can be raised by inserting an extra diode in series with the rectifier bridge as in Fig. 14.

### Gain regulation

When regulation with line length is used on send and receive gain, this can be set with the resistors R1 and R2. Note that not all versions are equipped with this function. By changing the values of these, the regulation attack can be set to fit any particular need.

Fig. 14 - Rectifier bridge with extra diode



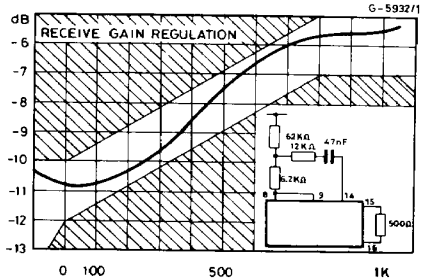
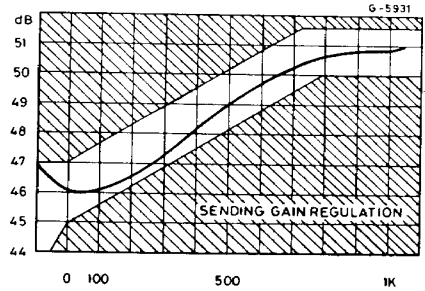
A table in the data sheets shows what values to use for some standard power supply systems. See example in Fig. 15.

Fig. 15 - Examples of line-regulating setting

Line	R1	R2
50V, 2 x 200Ω	18KΩ	47KΩ
50V, 2 x 400Ω	9.1KΩ	4.7KΩ
50V, 2 x 800Ω	0	∞
Unregulated (all lines)	∞	0

Regulation input (pin 6 or PBL 3726/6)

Fig. 16 - Typical gain regulation with line length



### Transmitter gain

The resistor R4 sets the gain by attenuating the signal from amplifier F<sub>1</sub>. If greater attenuation is needed a resistor (R5) can be connected to the minus line.

To get a frequency response appropriate for the microphone used a filter function as in Fig. 5 can be used. These filters were previously described in this document.

The circuit can be provided with an unbalanced input as in Fig. 18.

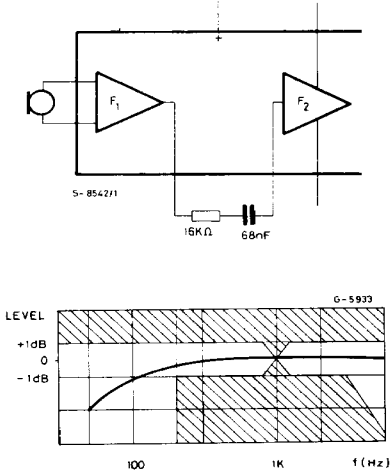
Cut off of the transmitter can be done at F<sub>1</sub> without interfering other functions of the circuit as in Fig. 19.

Also signals other than DTMF signals can be added at input of F<sub>2</sub>.

# PBL3726 Series

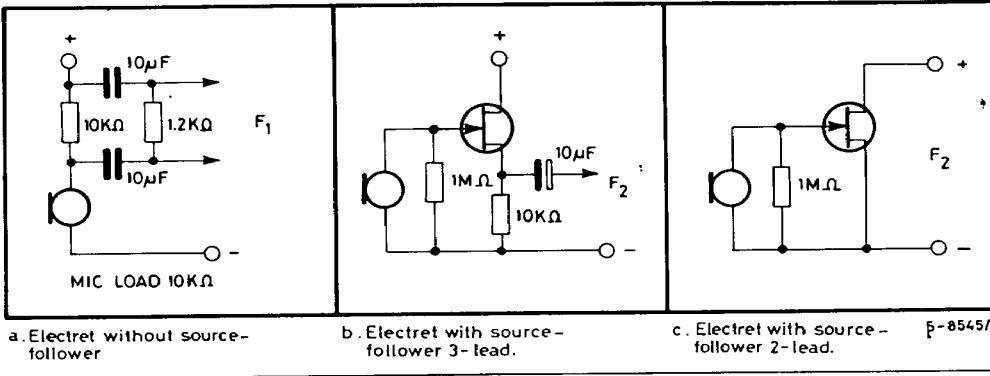
## DESIGN RULES (continued)

Fig. 17 - Typical response of PBL 3726 using simple filter



For the version originally developed for electrodynamic/magnetic microphones it is also possible to use electret microphones as shown in Fig. 20.

Fig. 20 - Alternative microphones of electromagnetic and electrodynamic types for PBL 3726



### Receiver gain

In order to get the correct gain on the receive side, resistors R10 - R13 are used. Remember that R10 and R11 also set the rough ratio of the sidetone. R13 is used only in extreme circum-

Fig. 18 - Unbalanced input

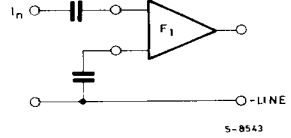
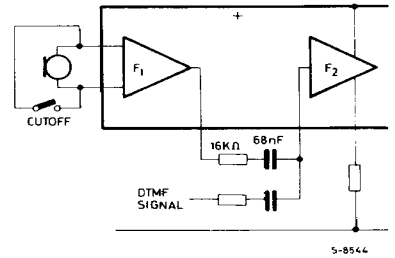


Fig. 19 - Special function

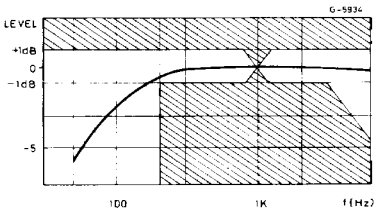
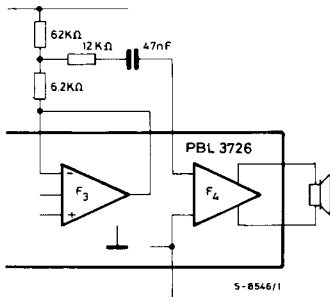


## DESIGN RULES (continued)

stances, where a very high receive gain attenuation is needed. The frequency response can be altered with the same filters used for the send gain (see Fig. 5). To get protection against acoustic shock the diodes provided on some versions after the output of  $F_4$  can be used.

One or two diode pairs can be used. Should this not be enough a resistor can be connected after the diodes (in series). This should be done before the setting of the receive gain.

Fig. 21 - Typical receive gain



### Sidetone

$$STMR = -\frac{10}{m} \times 10 \log \left\{ \frac{14}{\sum_{i=1}^m} \frac{m}{10} (W_{ST} + L_E - S_S + S_R + A_{rst}) \right\}$$

The most difficult part of the design work is always to define the sidetone. This should always be done last when designing with PBL 3726. The sidetone is the sound of your own voice fed back into the ear by the handset.

The subjective effect of this is best seen in the formula above for "Side Tone Masking Rating".

Summed at the frequencies  $f_i = 0.2, 0.25 \dots \dots 4\text{KHz}$  (see Fig. 22)

- $W_{ST}$  = Weighing factor
- $L_E$  = Leakage at receiver capsule
- $S_S$  = Send sensitivity
- $S_R$  = Receive sensitivity
- $A_{rst}$  = Hybrid-loss balance

The part that can be altered by the speech circuit is the  $A_{rst}$  value that can be determined by the formula:

$$A_{rst} = 20 \log \left[ \frac{Z_C + Z_{SO}}{2 Z_C} \times \frac{Z + Z_C}{Z - Z_{SO}} \right]$$

where:

- $Z$  = Impedance of the connected telephone line
- $Z_{SO}$  = The balance impedance of the central office (PABX)
- $Z_C$  = Impedance of the speech circuit

The sum of  $Z$  and  $Z_{SO}$  can be called  $Z_{line}$

The principle of the traditional so called active speech circuit has been the wheatstone bridge (Fig. 23). The formula for the minimum side-tone is to balance until:

$$\frac{Z_2}{Z_1} = \frac{Z_{bal}}{Z_{line}}$$

Fig. 22 --CCITT factors

$f_i$ KHz	$W_{ST}$ dB	$L_E$ dB
0.2	86.4	8.4
0.25	81.9	4.9
0.315	78.5	1
0.4	78.2	-0.7
0.5	72.8	-2.2
0.63	67.6	-2.6
0.8	58.4	-3.2
1	49.7	-2.3
1.25	48.0	-1.2
1.6	48.7	-0.1
2	50.7	3.6
2.5	49.8	7.4
3.15	48.4	6.7
4	49.2	8.8

# PBL3726 Series

## DESIGN ROULES (continued)

The principle of PBL 3726 is more complicated (even if calculation with the bridge in Fig. 23 is possible). With the all-active bridge a method of cancelling the sidetone is a summing amplifier makes it possible to get not only one but two different sidetone optimums for different line lengths (see Fig. 25). The function of the external components in Fig. 7 have previously been described in this document. Fig. 26 shows an example of a sidetone network using the Wheatstone principle with PBL 3726.

Fig. 23 – Balance bridge

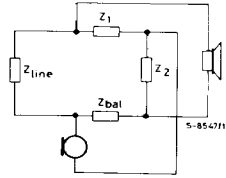
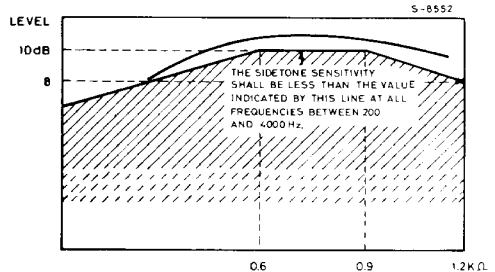
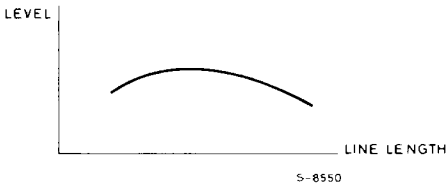
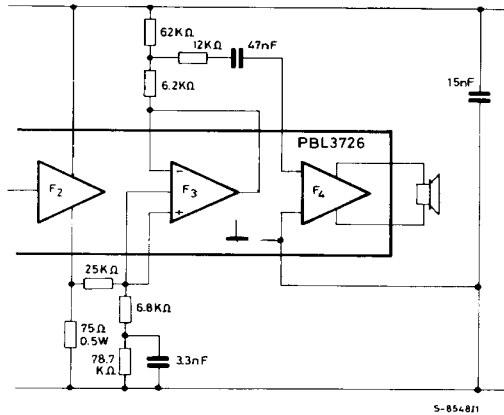
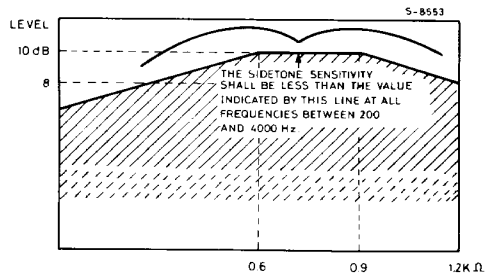
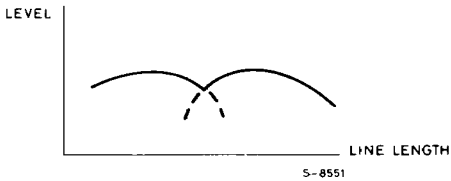
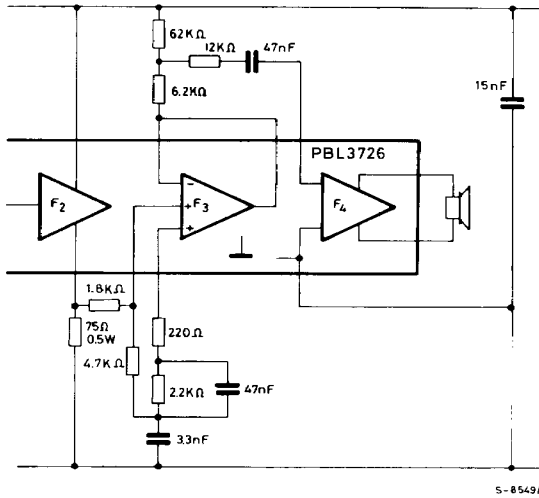


Fig. 24 – Unregulated sidetone network



**DESIGNE RULES (continued)**

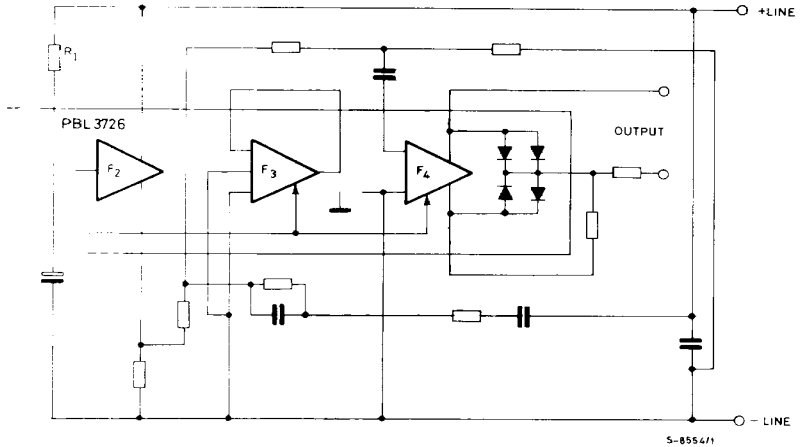
Fig. 25 – Regulated sidetone network



# PBL3726 Series

## DESIGNE RULES (continued)

Fig. 26 - Wheatstone type sidetone network



## PRODUCT SUMMARY

Speech circuit	Microphone				Line	Regulated sidetone	Extra receive amp	Low cost speaker phone	Click suppressor	Split power supply for output amp
	Carbon	Electro magnetic	Electro dynamic	Electret						
PBL 3726/6		•	•		Adjustable	•	•	•	•	
PBL 3726/8	•			•	36V, 2 x 500Ω 50V, 2 x 800Ω	•	•	•	•	
PBL 3726/9	•			•	Adjustable	•	•	•	•	
PBL 3726/11		•	•			•	•	•	•	
PBL 3726/12		•	•		Adjustable	•	•	•	•	•

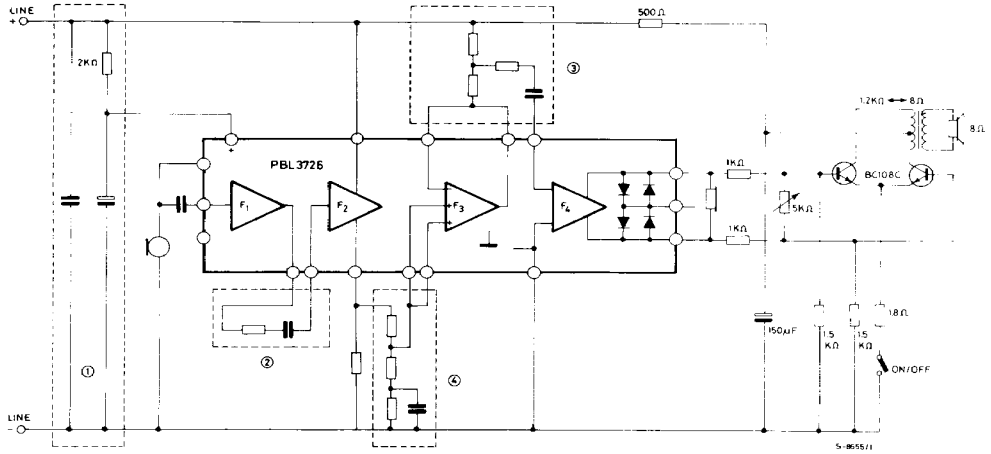
## APPLICATIONS

To use PBL 3726 in a hands-free telephone with a monitor function the schematics in Fig. 27 can be used. The transformer should be rather efficient. Ordinary transistors can be used.

PBL 3726 can also be used as trunk interface in modems, PABX, key systems etc where an

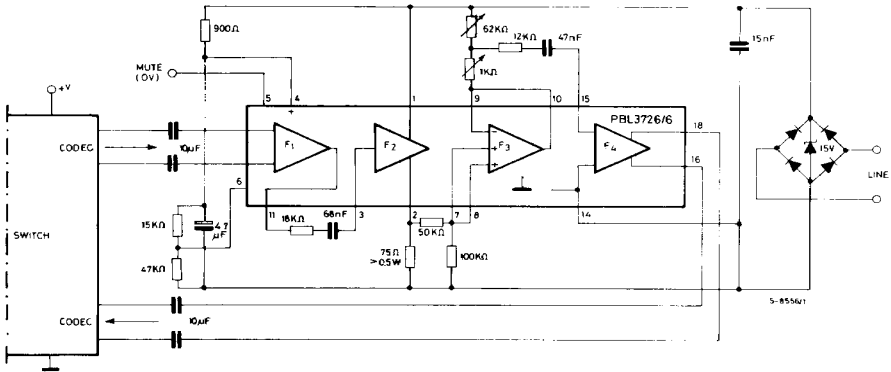
analog interface against the telephone line is needed. The balanced inputs and outputs make this possible together with the possibility of regulated sidetone. Examples of both one-way and two-way data/signal communication with PBL 3726/6 are shown in Fig. 28.

Fig. 27 - Monitor loudspeaker



## Two - Way communication (send/receive)

Fig. 28 - Trunk interface applications



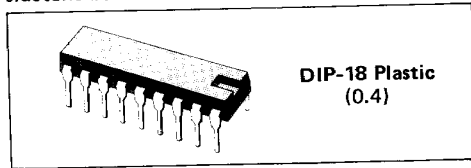
## SPEECH CIRCUIT

- MINIMUM NUMBER OF INEXPENSIVE EXTERNAL COMPONENTS, 5 CAPACITORS AND 10 RESISTORS
- MUTE FUNCTION FOR PARALLEL OPERATING WITH DTMF GENERATOR OR DECADING IMPULSING
- LOW VOLTAGE OPERATING, DOWN TO 3.3V
- VERY SHORT START-UP TIME

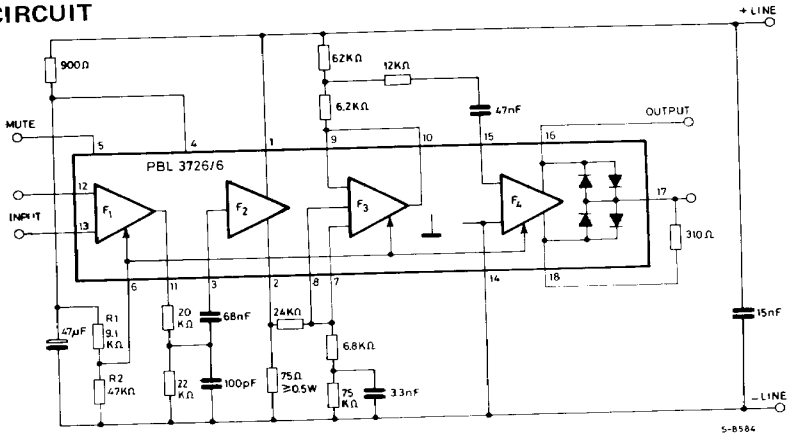
PBL 3726/6 is standard version of the PBL 3726 family of the mask-programmable, monolithic integrated speech circuits for use with a low impedance microphone. Sending and receiving gain is regulated with line length. Different ranges of amplifier regulation for various current feeds can be obtained with external resistor or

totally cut off. Typical current feeds as 48V 2 x 200Ω 2 x 400Ω and 36V 2 x 250Ω can be handled.

Application-dependent parameters as line balance, sidetone level and frequency response are set by external components. Parameters are set independently which means easy adaptation for various market needs. An extra 20dB amplifier can be used for various purposes such as extra receiving gain with volume control or active sidetone balance.



## TEST CIRCUIT



Some typical values for R1 and R2 for some different supplies from telephone stations are shown in the next table.

Type	R1	R2
No regulation, all feeding systems	∞	0
48V, 2 x 200Ω	16KΩ	47KΩ
48V, 2 x 400Ω	9.1KΩ	47KΩ
36V, 2 x 500Ω	0	∞



## ABSOLUTE MAXIMUM RATINGS

Maximum ratings over operating free-air temperature range (unless otherwise stated)

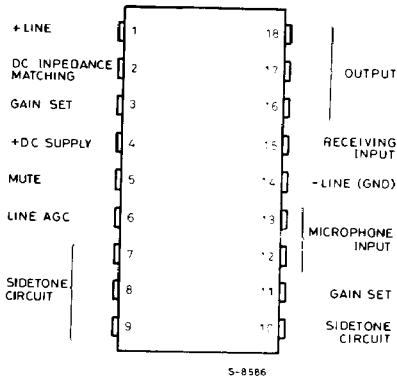
$V_{DC}$	Line voltage, $t_p = 2s$	22	V
$I_{DC} (*)$	Continuous operating line current	100	mA
$T_j$	Junction temperature	150	$^{\circ}C$
$T_{amb}$	Operating ambient temperature	-40 to +70	$^{\circ}C$
$T_{stg}$	Storage temperature	-55 to +150	$^{\circ}C$

(\*) Max current increases linearly up to 130mA with max operating temperature lowered to +55 $^{\circ}C$

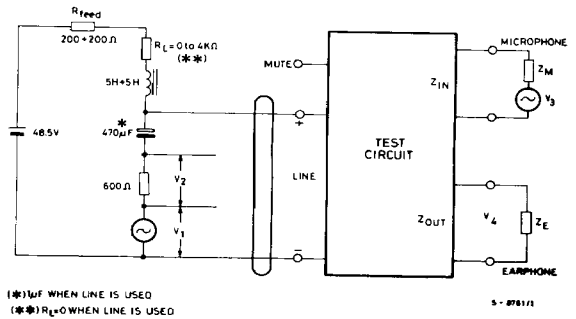
## RECOMMENDED OPERATING CONDITIONS

Symbol	Parameter	Min.	Typ.	Max.	Unit
$I_L$	Line Current	15		100	mA

## CONNECTION DIAGRAM



## Test set-up



## THERMAL DATA

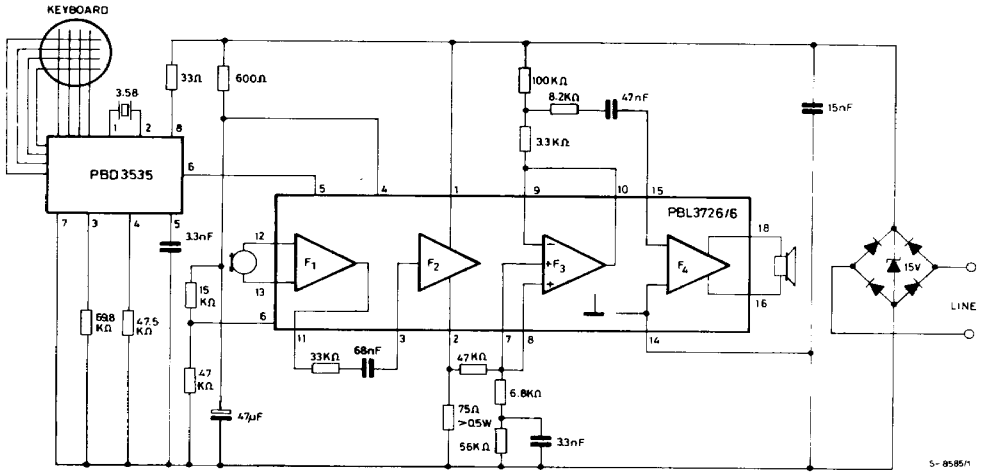
$R_{th j-amb}$	Thermal resistance junction-ambient	max	80	$^{\circ}C/W$
----------------	-------------------------------------	-----	----	---------------

**ELECTRICAL CHARACTERISTICS** (Electrical characteristics over recommended operating conditions)

Parameter	Test Conditions	Min.	Typ.	Max.	Unit	
V <sub>DC</sub>	Terminal voltage	I <sub>DC</sub> = 15mA I <sub>DC</sub> = 100mA	3.3 11	3.7 13	4.1 15	V V
G <sub>T</sub>	Transmitting gain *	20 · log <sub>10</sub> ( $\frac{V_2}{V_3}$ ) 1KHz R <sub>L</sub> = 0 E = E + 10% R <sub>L</sub> = 400Ω R <sub>L</sub> = 900Ω - 2.2KΩ	41 43.5 46	43 45.5 48	45 47.5 50	dB dB dB
REG <sub>T</sub>	Transmitting range of regulation	1KHz R <sub>L</sub> = 0Ω E = E + 10% to R <sub>L</sub> = 900Ω	3	5	7	dB
Lin <sub>T</sub>	Transmitting frequency response	200Hz to 3.4KHz	-1		1	dB
G <sub>R</sub>	Receiving gain *	20 · log <sub>10</sub> ( $\frac{V_4}{V_1}$ ) 1KHz R <sub>L</sub> = 0Ω E = E + 10% R <sub>L</sub> = 400Ω R <sub>L</sub> = 900Ω - 2.2KΩ	-18.5 -16 -13.5	-16.5 -14 -11.5	-14.5 -12 -9.5	dB dB dB
REG <sub>R</sub>	Receiving range of regulation	1KHz R <sub>L</sub> = 0Ω E = E + 10% to R <sub>L</sub> = 900Ω	3	5	7	dB
Lin <sub>R</sub>	Receiving frequency response	200Hz to 3.4KHz	-1		1	dB
Z <sub>IN</sub>	Transmitter input impedance	1KHz		1.1		KΩ
V <sub>T</sub>	Transmitter dynamic output	200Hz - 3.4KHz ≤ 2% distortion I <sub>DC</sub> = 20 - 100mA		1.5		V <sub>p</sub>
V <sub>T</sub>	Transmitter max output	200Hz - 3.4KHz I <sub>DC</sub> = 0 - 100mA V <sub>3</sub> = 0 - 1V		3		V <sub>p</sub>
Z <sub>OUT</sub>	Receiver output impedance	1KHz		3 + 310		Ω
	Receiver dynamic output **	200Hz - 3.4KHz ≤ 2% distortion I <sub>DC</sub> = 20 - 100mA	0.5	0.55		V <sub>p</sub>
V <sub>R</sub>	Receiver max output	Measured with line rectifier 200Hz - 3.4KHz I <sub>DC</sub> = 0 - 100mA V <sub>1</sub> = 0 - 50V		0.9		V <sub>p</sub>
N <sub>T</sub>	Transmitter output noise	P <sub>sof</sub> -weighted, REL 1V R <sub>L</sub> 0		-75		dB <sub>psof</sub>
N <sub>R</sub>	Receiver output noise	A-weighted, REL 1V, with cable 0-5 Km φ 0.5 mm; 0-3 Km φ 0.4 mm		-85		dB <sub>A</sub>
I <sub>M</sub>	Mute input current		0.1			mA
I <sub>DC</sub>	Extra available current when muted at the same DC-voltage	I <sub>DC</sub> = 15 - 100mA		10		mA

\* Adjustable to both higher and lower values with external components  
 \*\* The dynamic output can be doubled. See application notes at R14

Fig. 1 - Typical application with DTMF generator PBD 3535



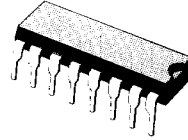
## SPEECH CIRCUIT

- MINIMUM NUMBER OF INEXPENSIVE EXTERNAL COMPONENTS, 6 CAPACITORS AND 10 RESISTORS
- MUTE FUNCTION FOR PARALLEL OPERATION WITH DTMF GENERATOR OR DECADING IMPULSING
- LOW VOLTAGE OPERATION, DOWN TO 3.3V
- VERY SHORT START-UP TIME
- CURRENT-SOURCE GENERATOR FOR ACTIVE MICROPHONES

PBL 3726/8 is a standard version of the PBL 3726 family of the mask-programmable, monolithic integrated speech circuits for use in electronic telephones. It is designed for use with a low impedance microphone. Sending and receiving gain is regulated with the line length. Different ranges of amplifier regulation for

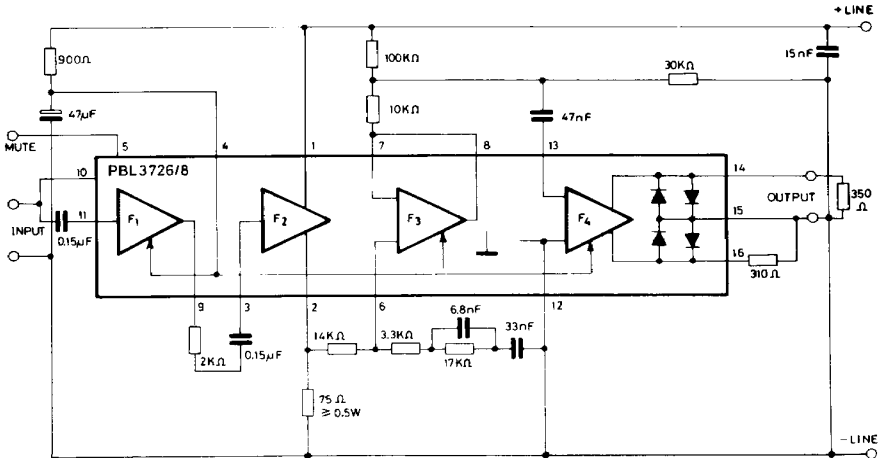
various current feeds can be obtained by mask programming. Typical current feeds such as 48V 2 x 800Ω, and 36V 2 x 500Ω can be handled.

Application-dependent parameters are line balance, sidetone level and frequency response are set by external components. Parameters are set independently which means easy adaptation for various market needs. An extra 20dB amplifier can be used for various purposes such as extra receiving gain with volume control or active sidetone balance.



DIP-16 Plastic  
(0.4)

## TEST CIRCUIT



5-8594/11

## ABSOLUTE MAXIMUM RATINGS

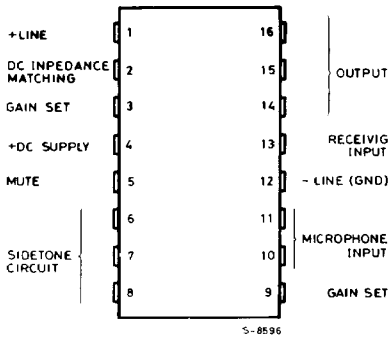
Maximum ratings over operating free-air temperature range (unless otherwise stated)

$V_{DC}$	Line voltage, $t_p = 2s$	22	V
$I_{DC}$	Continuous operating line current	100	mA
$T_j$	Junction temperature	150	$^{\circ}C$
$T_{amb}$	Operating ambient temperature	-40 to +70	$^{\circ}C$
$T_{stg}$	Storage temperature	-55 to 150	$^{\circ}C$

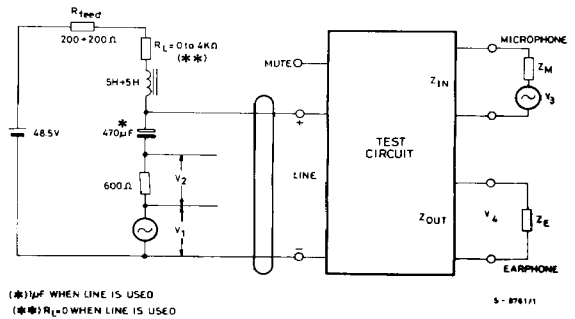
## RECOMMENDED OPERATING CONDITIONS

Symbol	Parameter	Min.	Typ.	Max.	Unit
$I_L$	Line current	10		60	mA
$T_{amb}$	Ambient temperature	-15		45	$^{\circ}C$

## CONNECTION DIAGRAM



## Test set-up



## THERMAL DATA

$R_{thj-amb}$	Thermal resistance junction-ambient	max	80	$^{\circ}C/W$
---------------	-------------------------------------	-----	----	---------------

# PBL3726/8

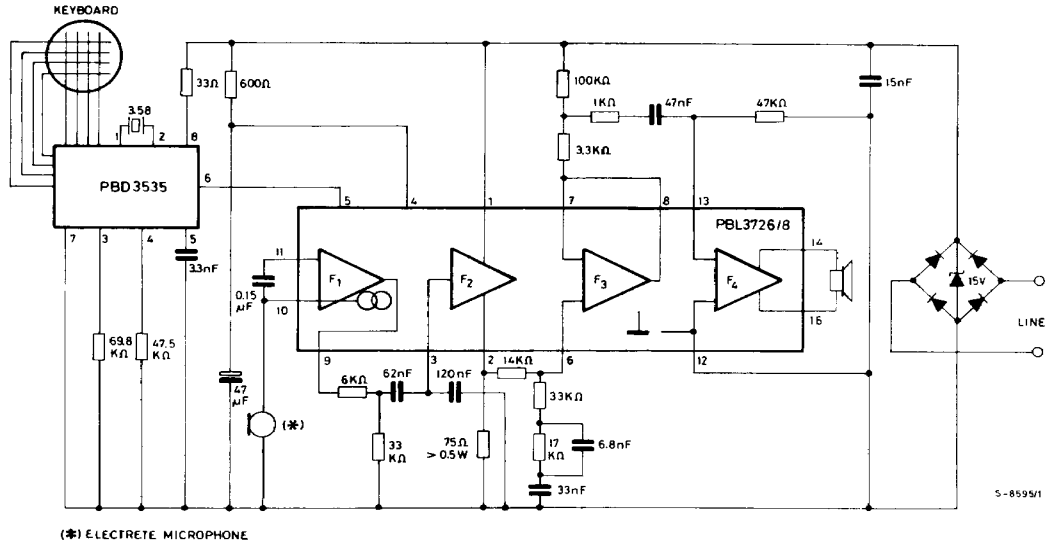
## ELECTRICAL CHARACTERISTICS (Electrical characteristics over recommended operating conditions)

Parameter		Test Conditions	Min.	Typ.	Max.	Unit
V <sub>DC</sub>	Terminal voltage	I <sub>DC</sub> = 10mA I <sub>DC</sub> = 60mA	3,0 7	3,5 9	4,0 10,5	V V
G <sub>T</sub>	Transmitting gain *	$20 \cdot \log_{10} \left( \frac{V_2}{V_3} \right)$ 1KHz R <sub>L</sub> = 0 E = E + 10% R <sub>L</sub> = 400Ω R <sub>L</sub> = 900Ω - 2,2KΩ	33 35,5 38	34 36,5 39	35 37,5 40	dB dB dB
REG <sub>T</sub>	Transmitting range of regulation	1KHz R <sub>L</sub> = 0Ω, to R <sub>L</sub> = 900Ω E = E + 10%	3	5	7	dB
Lin <sub>T</sub>	Transmitting frequency response	200Hz to 3,4KHz	-1		1	dB
G <sub>R</sub>	Receiving gain *	$20 \cdot \log_{10} \left( \frac{V_4}{V_1} \right)$ 1KHz R <sub>L</sub> = 0Ω E = E + 10%	-17	-15	-13	dB
REG <sub>R</sub>	Receiving range of regulation	1KHz R <sub>L</sub> = 0Ω to R <sub>L</sub> = 900Ω E = E + 10%	3	5	7	dB
Lin <sub>R</sub>	Receiving frequency response	200Hz to 3,4KHz	-1		1	dB
Z <sub>IN</sub>	Transmitter input impedance	1KHz	17	20		KΩ
V <sub>T</sub>	Transmitter dynamic output	200Hz - 3,4KHz ≤ 2% distortion I <sub>DC</sub> = 11,25 - 50mA	1,1			V <sub>p</sub>
V <sub>T</sub>	Transmitter max output	200Hz - 3,4KHz I <sub>DC</sub> = 0 - 50mA V <sub>3</sub> = 0 - 1V			3	V <sub>p</sub>
Z <sub>OUT</sub>	Receiver output impedance	1KHz		3 + 310		Ω
V <sub>R</sub>	Receiver dynamic output **	200Hz - 3,4KHz ≤ 3% distortion I <sub>DC</sub> = 11,25 - 50mA	0,4			V <sub>p</sub>
V <sub>R</sub>	Receiver max output	Measured with line rectifier 200Hz - 3,4KHz I <sub>DC</sub> = 0 - 50mA V <sub>1</sub> = 0 - 50V			0,9	V <sub>p</sub>
N <sub>T</sub>	Transmitter output noise	P <sub>sof</sub> -weighted, REL 1V R <sub>L</sub> = 0		-75		dB <sub>psof</sub>
N <sub>R</sub>	Receiver output noise	A-weighted, REL 1V, with cable 0 - 5 Km φ 0,5 mm; 0 - 3 Km φ 0,4 mm		-85		dB <sub>A</sub>
I <sub>M</sub>	Mute input current		0,1			mA
V <sub>DCM</sub>	Minimum DC-line voltage when muted	I <sub>DC</sub> = 2,5mA I <sub>M</sub> = 0,1mA	3,0			V
I <sub>S</sub>	Supply current for microphone amplifier	I <sub>DC</sub> = 11,25 - 50mA	300			μA
I <sub>DC</sub>	DC voltage for microphone amplifier	I <sub>DC</sub> = 11,25 - 50mA			2	V

\* Adjustable to both higher and lower values with external components

\*\* The dynamic output can be doubled. See application notes at R14

Fig. 1 - Typical application with DTMF generator PBD 3535



(\*) ELECTRETE MICROPHONE

# PBL3726/9

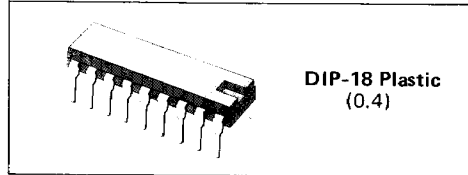
## SPEECH CIRCUIT

- MINIMUM NUMBER OF INEXPENSIVE EXTERNAL COMPONENTS, 6 CAPACITORS AND 10 RESISTORS
- MUTE FUNCTION FOR PARALLEL OPERATION WITH DTMF GENERATOR OR DECADING IMPULSING
- LOW VOLTAGE OPERATION, DOWN TO 3.3V
- VERY SHORT START-UP TIME
- INTERNAL CURRENT-SOURCE GENERATOR FOR BUFFER AMPLIFIER OR A SIMILAR DEVICE

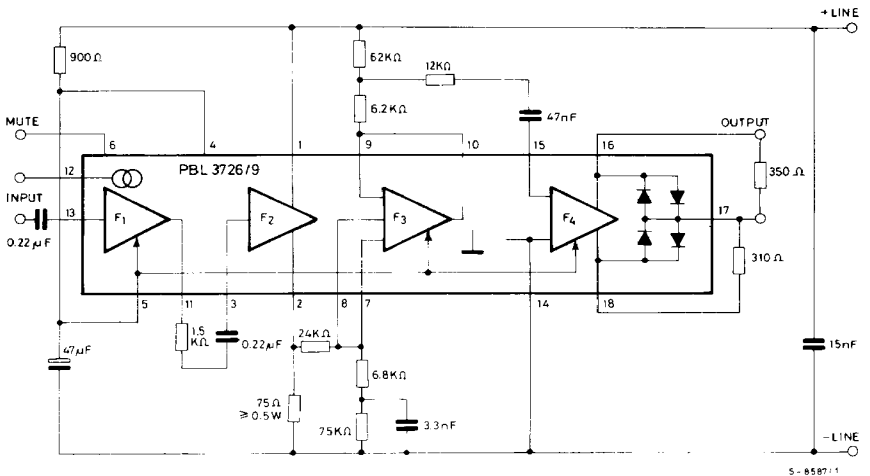
PBL 3726/9 is a standard version of the PBL 3726 family of the mask-programmable, monolithic integrated speech circuit for use in electronic telephones. It is designed for use with electret microphone with a buffer amplifier. Sending and receiving gain is regulated with

line length. Different ranges of amplifier regulation for various current feeds can be obtained. Typical current feeds as 48V 2 x 200Ω, 2 x 400Ω and 36V 2 x 250Ω can be handled.

Application-dependent parameters such as line balance, sidetone level and frequency response are set by external components. Parameters are set independently which means easy adaptation for various market needs. An extra 20dB amplifier can be used for various purposes such as extra receiving gain with volume control or active sidetone balance.



## TEST CIRCUIT



S-85871-1



## ABSOLUTE MAXIMUM RATINGS

Maximum ratings over operating free-air temperature range (unless otherwise stated)

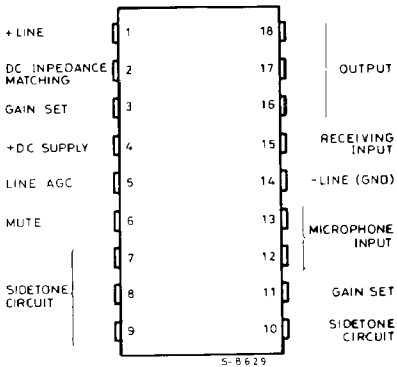
$V_{DC}$	Line voltage, $t_p = 2s$	22	V
$I_{DC}$ (*)	Continuous operating line current	100	mA
$T_j$	Junction temperature	150	°C
$T_{amb}$	Operating ambient temperature	-40 to 70	°C
$T_{stg}$	Storage temperature	-55 to 150	°C

(\*) Max. current increases linearly up to 130mA with max operating temperature lowered to +55°C

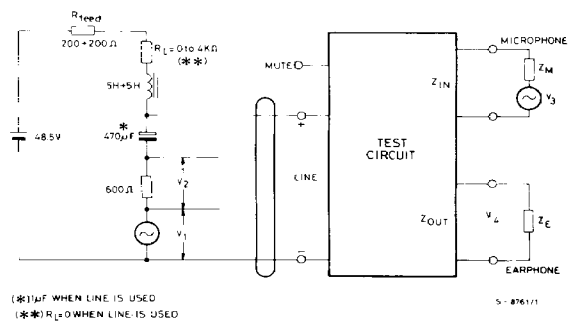
## RECOMMENDED OPERATING CONDITIONS

Symbol	Parameter	Min.	Typ.	Max.	Unit
$I_L$	Line current	15		100	mA

## CONNECTION DIAGRAM



## Test set-up



## THERMAL DATA

$R_{th j-amb}$	Thermal resistance junction-ambient	max	80	°C/W
----------------	-------------------------------------	-----	----	------

# PBL3726/9

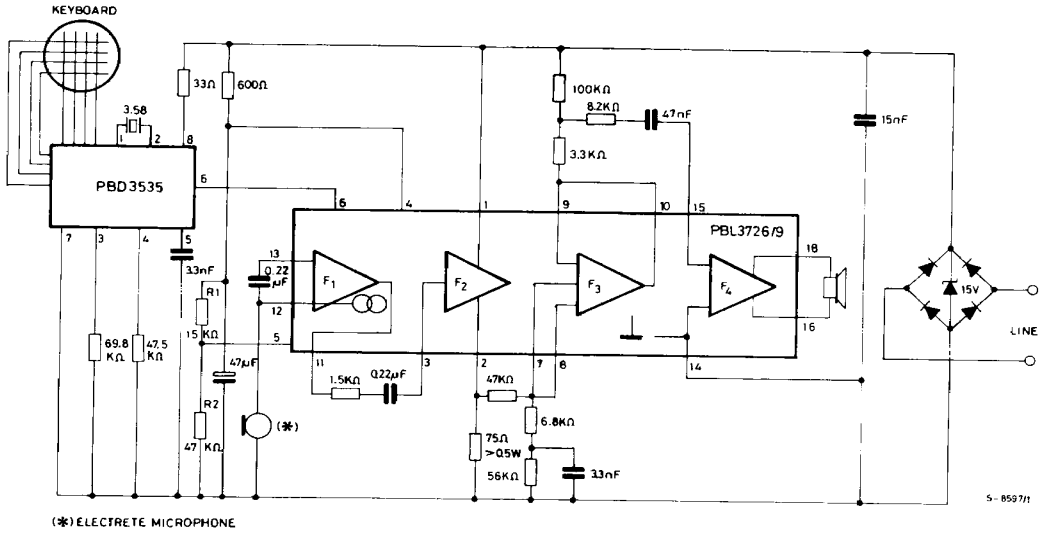
## ELECTRICAL CHARACTERISTICS (Electrical characteristics over recommended operating conditions)

Parameter	Test Conditions	Min.	Typ.	Max.	Unit	
V <sub>DC</sub>	Terminal voltage	I <sub>DC</sub> = 15mA I <sub>DC</sub> = 100mA	3.5 11	3.9 13	4.3 15	V V
G <sub>T</sub>	Transmitting gain *	20 · log <sub>10</sub> ( $\frac{V_2}{V_3}$ ) 1KHz R <sub>L</sub> = 0 E = E + 10% R <sub>L</sub> = 400Ω R <sub>L</sub> = 900Ω - 2.2KΩ	24 26.5 28	26 28.5 31	28 30.5 33	dB dB dB
REG <sub>T</sub>	Transmitting range of regulation	R <sub>L</sub> = 0Ω E = E + 10% to R <sub>L</sub> = 900Ω	3	5	7	dB
Lin <sub>T</sub>	Transmitting frequency response	200Hz to 3.4KHz	-1		1	dB
G <sub>R</sub>	Receive gain *	20 · log <sub>10</sub> ( $\frac{V_4}{V_1}$ ) 1KHz R <sub>L</sub> = 0Ω E = E + 10% R <sub>L</sub> = 400Ω R <sub>L</sub> = 900Ω + 2.2KΩ	-18.5 -16 -13.5	-16.5 -14 -11.5	-14.5 -12 -9.5	dB dB dB
REG <sub>R</sub>	Receiving range of regulation	1KHz R <sub>L</sub> = 0Ω E = E + 10% to R <sub>L</sub> = 900Ω	3	5	7	dB
Lin <sub>R</sub>	Receiving frequency response	200Hz to 3.4KHz	-1		1	dB
Z <sub>IN</sub>	Transmitter input impedance	1KHz		19		KΩ
V <sub>T</sub>	Transmitter dynamic output	200Hz - 3.4KHz ≤ 2% distortion I <sub>DC</sub> = 20 - 100mA		1.5		V <sub>p</sub>
V <sub>T</sub>	Transmitter max output	200Hz - 3.4KHz I <sub>DC</sub> = 0 - 100mA V <sub>3</sub> = 0 - 1V		3		V <sub>p</sub>
Z <sub>OUT</sub>	Receiver output impedance	1KHz		3 + 310		Ω
V <sub>R</sub>	Receiver dynamic output **	200Hz - 3.4KHz ≤ 2% distortion I <sub>DC</sub> = 20 - 100mA	0.5	0.55		V <sub>p</sub>
V <sub>R</sub>	Receiver max output	Measured with line rectifier 200Hz - 3.4KHz I <sub>DC</sub> = 0 - 100mA V <sub>1</sub> = 0 - 50V		0.9		V <sub>p</sub>
N <sub>T</sub>	Transmitter output noise	P <sub>sof</sub> -weighted, REL 1V R <sub>L</sub> = 0		-75		dB <sub>psof</sub>
N <sub>R</sub>	Receiver output noise	A-weighted, REL 1V, with cable 0-5 km φ 0.5 mm; 0-3 km φ 0.4 mm		-85		dB <sub>A</sub>
I <sub>M</sub>	Mute input current		0.1			mA
I <sub>DC</sub>	Extra available current when muted at the same DC-voltage	I <sub>DC</sub> = 15 - 100mA		10		mA
I <sub>S</sub>	Supply current for the microphone	R <sub>L</sub> = 0 - 800Ω	310			μA

\* Adjustable to both higher and lower values with external components

\*\* The dynamic output can be doubled. See application notes at R14

Fig. 1 - Typical application with DTMF generator PBD 3535



Some typical values for R1 and R2 for some different supplies from telephone stations are shown in the next table

Type	R1	R2
No regulation, all feeding systems	$\infty$	0
48V, 2 x 250Ω	6.8KΩ	48KΩ
48V, 2 x 400Ω	0	$\infty$

# PBL3726/11

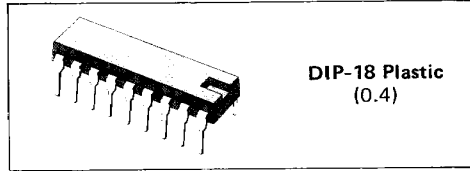
## SPEECH CIRCUIT

- MINIMUM NUMBER OF INEXPENSIVE EXTERNAL COMPONENTS, 5 CAPACITORS AND 10 RESISTORS
- MUTE FUNCTION FOR PARALLEL OPERATION WITH DTMF GENERATOR OR DECADING IMPULSING
- LOW VOLTAGE OPERATION, DOWN TO 3.3V
- VERY SHORT START-UP TIME
- SIDETONE DISTORTION CANCELLATION

PBL 3726/11 is a standard version of the PBL 3726 family of the mask-programmable, monolithic integrated speech circuits for use in electronic telephones. It is designed for use with a low impedance microphone. Sending and receiving gain is regulated with line length. Different ranges of amplifier regulation for various

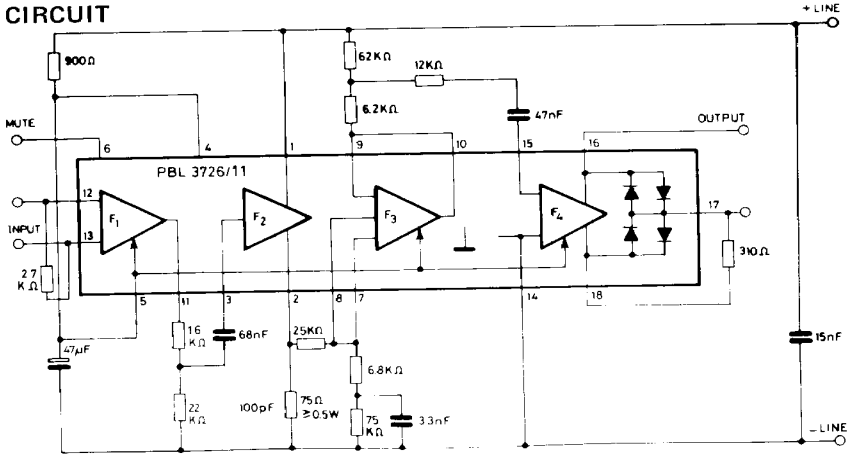
current feeds can be obtained with external resistor or totally cut off. Typical current feeds such as  $48V \ 2 \times 200\Omega$ ,  $2 \times 400\Omega$  and  $36V \ 2 \times 250\Omega$  can be handled.

Application-dependent parameters such as line balance, sidetone level and frequency response are set by external components. Parameters are set independently which means easy adaptation for various market needs. An extra amplifier can be used for various purposes such as active sidetone balance.



DIP-18 Plastic  
(0.4)

## TEST CIRCUIT



Some typical values for R1 and R2 for some different supplies from telephone stations are shown in the next table

Type	R1	R2
No regulation, all feeding systems	$\infty$	0
$48V, 2 \times 200\Omega$	$16K\Omega$	$47K\Omega$
$48V, 2 \times 400\Omega$	$9.1K\Omega$	$47K\Omega$

## ABSOLUTE MAXIMUM RATINGS

Maximum ratings over operating free-air temperature range (unless otherwise stated).

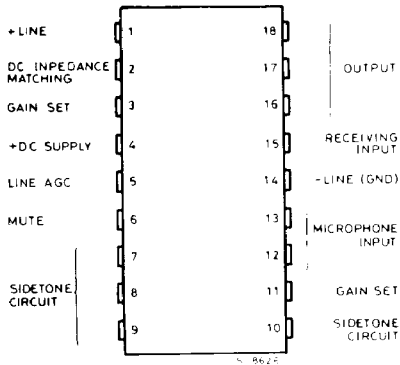
$V_{DC}$	Line voltage, $t_p = 2s$	22	V
$I_{DC}$ (*)	Continuous operating line current	100	mA
$T_j$	Junction temperature	150	°C
$T_{amb}$	Operating ambient temperature	-40 to 70	°C
$T_{stg}$	Storage temperature	-55 to 150	°C

(\*) Max current increases linearly up to 130mA with max operating temperature lowered to +55°C

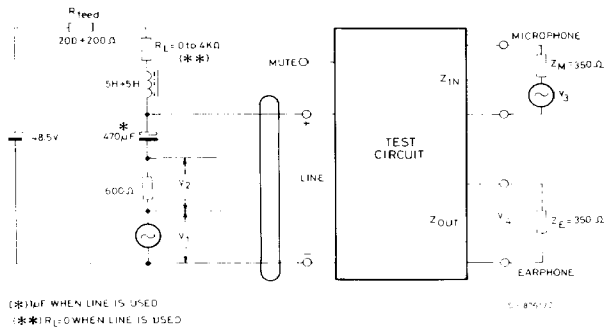
## RECOMMENDED OPERATING CONDITIONS

Symbol	Parameter	Min.	TYp.	Max.	Unit
$I_L$	Line current	15		100	mA

## CONNECTION DIAGRAM



## Test set-up



## THERMAL DATA

$R_{thJ-amb}$	Thermal resistance junction-ambient	max	80	°C/W
---------------	-------------------------------------	-----	----	------

# PBL3726/11

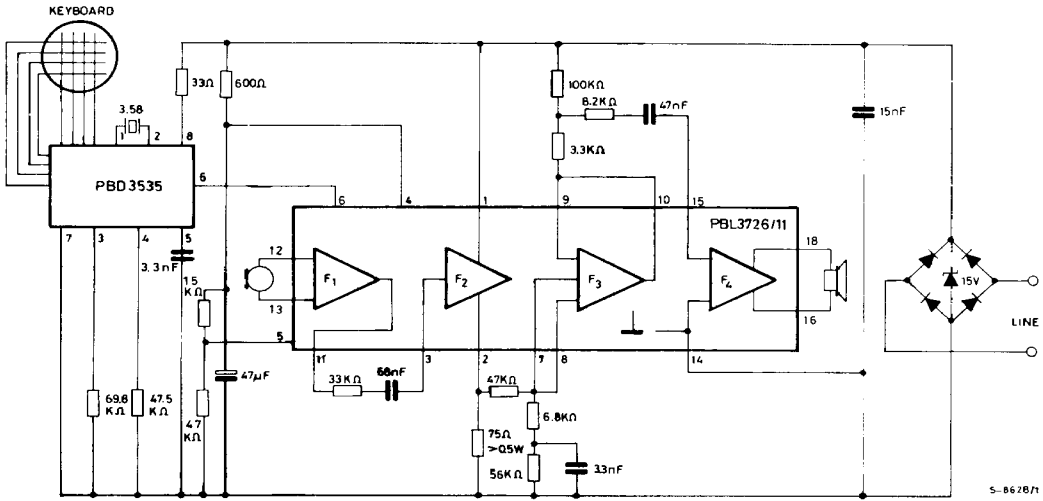
## ELECTRICAL CHARACTERISTICS (Electrical characteristics over recommended operating conditions)

Parameter	Test Conditions	Min.	Typ.	Max.	Unit	
V <sub>D</sub>	Terminal voltage	I <sub>DC</sub> = 15mA I <sub>DC</sub> = 100mA	3.3 11	3.7 13	4.1 15	V V
G <sub>T</sub>	Transmitting gain *	20 · log <sub>10</sub> ( $\frac{V_2}{V_3}$ ) 1KHz R <sub>L</sub> = 0 R <sub>L</sub> = 400Ω R <sub>L</sub> = 900Ω - 2.2KΩ E = E + 10%	41 43.5 46	43 45.5 48	45 47.5 50	dB dB dB
REG <sub>T</sub>	Transmitting range of regulation	1KHz R <sub>L</sub> = 0Ω to R <sub>L</sub> = 900Ω E = E + 10%	3	5	7	dB
Lin <sub>T</sub>	Transmitting frequency response	200Hz to 3.4KHz	-1		1	dB
G <sub>R</sub>	Receive gain *	20 · log <sub>10</sub> ( $\frac{V_4}{V_1}$ ) 1KHz R <sub>L</sub> = 0Ω R <sub>L</sub> = 400Ω R <sub>L</sub> = 900Ω - 2.2KΩ E = E + 10%	-18.5 -16 -13.5	-16.5 -14 -11.5	-14.5 -12 -9.5	dB dB dB
REG <sub>R</sub>	Receiving range of regulation	1KHz R <sub>L</sub> = 0Ω to R <sub>L</sub> = 900Ω E = E + 10%	3	5	7	dB
Lin <sub>R</sub>	Receiving frequency response	200Hz to 3.4KHz	-1		1	dB
Z <sub>IN</sub>	Transmitter input impedance	1KHz		1050		Ω
V <sub>T</sub>	Transmitter dynamic output	200Hz - 3.4KHz ≤ 2% distortion I <sub>DC</sub> = 20 - 100mA		1.5		V <sub>p</sub>
V <sub>T</sub>	Transmitter max output	200Hz - 3.4KHz I <sub>DC</sub> = 0 - 100mA V <sub>3</sub> = 0 - 1V		3		V <sub>p</sub>
Z <sub>OUT</sub>	Receiver output impedance	1KHz		3 + 310		Ω
	Receiver dynamic output **	200Hz - 3.4KHz ≤ 2% distortion I <sub>DC</sub> = 20 - 100mA V <sub>1</sub> = 0 - 50V		0.5		V <sub>p</sub>
V <sub>R</sub>	Receiver max output	Measured with line rectifier 200Hz - 3.4KHz I <sub>DC</sub> = 0 - 100mA V <sub>1</sub> = 0 - 50V		0.9		V <sub>p</sub>
N <sub>T</sub>	Transmitter output noise	P <sub>sof</sub> -weighted, REL 1V R <sub>L</sub> = 0		-75		dB <sub>psof</sub>
N <sub>R</sub>	Receiver output noise	A-weighted, REL 1V, with cable 0-5 Km φ 0.5 mm; 0-3 Km φ 0.4 mm		-85		dB <sub>A</sub>
I <sub>M</sub>	Mute input current		0.1			mA
I <sub>DC</sub>	Extra available current when muted at the same DC-voltage	I <sub>DC</sub> = 15 - 100mA		10		mA

\* Adjustable to both higher and lower values with external components

\*\* The Dynamic output can be doubled. See application notes at R14

Fig. 1 - Typical application with DTMF generator PBD 3535



# PBL3726/12

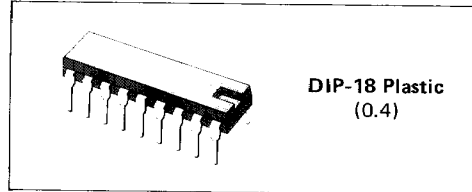
## SPEECH CIRCUIT

- MINIMUM NUMBER OF INEXPENSIVE EXTERNAL COMPONENTS, 5 CAPACITORS AND 10 RESISTORS
- MUTE FUNCTION FOR PARALLEL OPERATION WITH DTMF GENERATOR OR DECADING IMPULSING
- LOW VOLTAGE OPERATION, DOWN TO 3.3V
- VERY SHORT START-UP TIME
- SEPARATE POWER SUPPLY POSSIBLE FOR OUTPUT AMPLIFIER

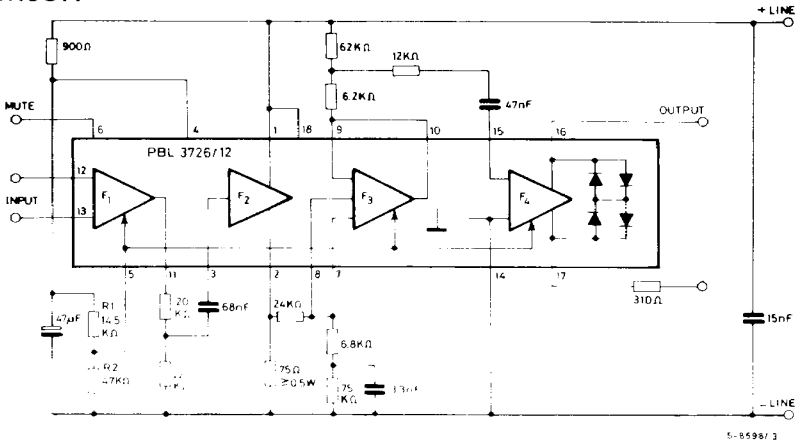
PBL 3726/12 is a standard version of the PBL 3726 family of the mask-programmable, monolithic integrated speech circuits for use in electronic telephones. It is designed for use with a low impedance microphone. Sending and receiving gain is regulated with line length. Different ranges of amplifier regulation for various

current feeds can be obtained. Typical current feeds as 48V 2 x 250Ω 2 x 400Ω and 36V 2 x 250Ω can be handled.

Application-dependent parameters such as line balance, sidetone level and frequency response are set by external components. Parameters are set independently which means easy adaptation for various market needs. An extra 20dB amplifier can be used for various purposes such as extra receiving gain with volume control or active sidetone balance.



## TEST CIRCUIT



Some typical values for R1 and R2 for some different supplies from telephone stations are shown in the next table.

Type	R1	R2
No regulation, all feeding systems	∞	0
48V, 2 x 400Ω	14.5KΩ	47KΩ
48V, 2 x 200Ω	18KΩ	47KΩ



## ABSOLUTE MAXIMUM RATINGS

Maximum ratings over operating free-air temperature range (unless otherwise stated)

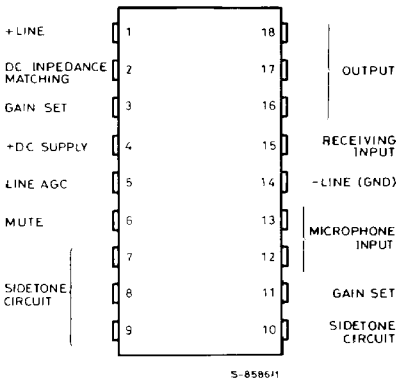
$V_{DC}$	Line voltage, $t_p = 2s$	22	V
$I_{DC}$ (*)	Continuous operating line current	100	mA
$T_j$	Junction temperature	150	$^{\circ}C$
$T_{amb}$	Operating ambient temperature	-40 to 70	$^{\circ}C$
$T_{stg}$	Storage temperature	-55 to 150	$^{\circ}C$

(\*) Max. current increases linearly up to 130mA with max operating temperature lowered to 55 $^{\circ}C$

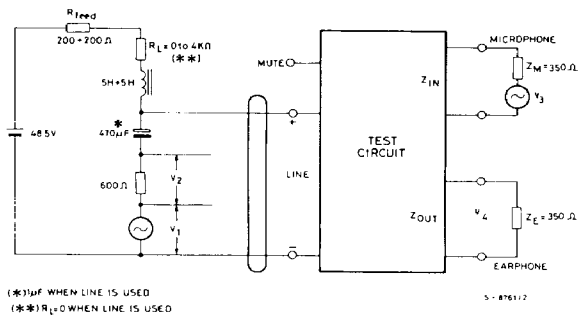
## RECOMMENDED OPERATING CONDITIONS

Symbol	Parameter	Min.	Typ.	Max.	Unit
$I_L$	Line current	15		100	mA

## CONNECTION DIAGRAM



## Test set-up



## THERMAL DATA

$R_{thj-amb}$	Thermal resistance junction-ambient	max	80	$^{\circ}C/W$
---------------	-------------------------------------	-----	----	---------------

## ELECTRICAL CHARACTERISTICS (Electrical characteristics over recommended operating conditions)

Parameter		Test Conditions	Min.	Typ.	Max.	Unit
V <sub>DC</sub>	Terminal voltage	I <sub>DC</sub> = 15mA I <sub>DC</sub> = 100mA	3.3 11	3.7 13	4.1 15	V V
G <sub>T</sub>	Transmitting gain *	$20 \cdot \log_{10} \left( \frac{V_2}{V_3} \right)$ 1KHz R <sub>L</sub> = 0 R <sub>L</sub> = 900Ω - 2.2KΩ E = E + 10%	38 43	40 45	42 47	dB dB
REG <sub>T</sub>	Transmitting range of regulation	1KHz R <sub>L</sub> = 0Ω to R <sub>L</sub> = 900Ω E = E + 10%	3	5	7	dB
Lin <sub>T</sub>	Transmitting frequency response	200Hz to 3.4KHz	-1		1	dB
G <sub>R</sub>	Receiving gain *	$20 \cdot \log_{10} \left( \frac{V_4}{V_1} \right)$ R <sub>L</sub> = 0Ω R <sub>L</sub> = 900Ω - 2.2KΩ E = E + 10%	-18.5 -13.5	-16.5 -11.5	-14.5 -9.5	dB dB
REG <sub>R</sub>	Receiving range of regulation	1KHz R <sub>L</sub> = 0Ω to R <sub>L</sub> = 900Ω E = E + 10%	3	5	7	dB
Lin <sub>R</sub>	Receiving frequency response	200Hz to 3.4KHz	-1		1	dB
Z <sub>IN</sub>	Transmitter input impedance	1KHz		2.5		KΩ
V <sub>T</sub>	Transmitter dynamic output	200Hz - 3.4KHz ≤ 2% distortion I <sub>DC</sub> = 20 - 100mA		1.4		V <sub>p</sub>
V <sub>T</sub>	Transmitter max output	200Hz - 3.4KHz I <sub>DC</sub> = 0 - 100mA V <sub>3</sub> = 0 - 1V		3		V <sub>p</sub>
Z <sub>OUT</sub>	Receiver output impedance	1KHz		3 + 310		Ω
V <sub>R</sub>	Receiver dynamic output	200Hz - 3.4KHz ≤ 2% distortion I <sub>DC</sub> = 20 - 100mA		0.4		V <sub>p</sub>
V <sub>R</sub>	Receiver max output	Measured with line rectifier 200Hz - 3.4KHz I <sub>DC</sub> = 0 - 100mA V <sub>1</sub> = 0 - 50V		0.9		V <sub>p</sub>
N <sub>T</sub>	Transmitter output noise	P <sub>sof</sub> -weighted, REL 1V R <sub>L</sub> = 0		-75		dB <sub>psof</sub>
N <sub>R</sub>	Receiver output noise	A-weighted, REL 1V, with cable 0.5 Km φ 0.5 mm; 0-3 Km φ 0.4 mm		-85		dB <sub>A</sub>
I <sub>M</sub>	Mute current		0.1			mA
I <sub>DC</sub>	Extra available current when muted at the same DC-voltage	I <sub>DC</sub> = 15-100mA		10		mA

\* Adjustable to both higher and lower values with external components

Fig. 1 - Typical application with DTMF generator PBD 3535

